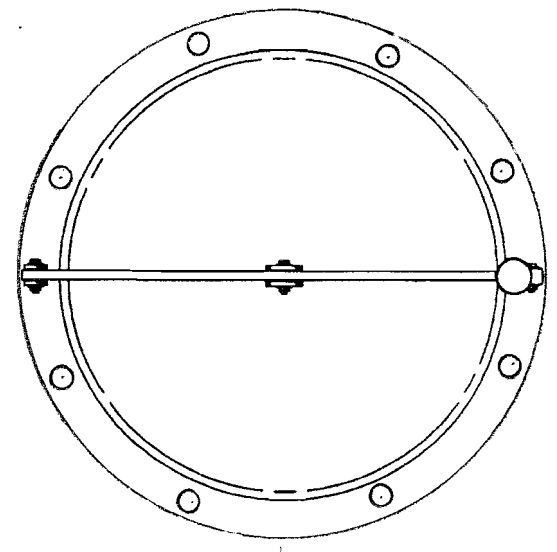


✓ CHECK MATERIAL TYPE		
304L		6% MOLY
316L		C.S.
317L		OTHER

GASKET MATERIAL:
PRESSURE RATING:
CERTIFIED BY:
DATE:

CHECK SIZE (✓)	SIZE	A SHELL OD	B NECK HGT	C OAH	D OAL
	12"	12"	5"	9.00"	18"
	16"	16"	5"	9.25"	22"
	18"	18"	5"	9.50"	24"
	20"	20"	5"	10.25"	26"
	24"	24"	5"	10.50"	30"
	30"	30"	5"	11.50"	36"
	36"	36"	5"	12.00"	42"



REMARKS:

CUSTOMER:	
C.A.I. J.O. #	REV. DATE
PRODUCT NO. CM-4	

CROSS ARM MANWAY
CHASE ASSOCIATES P.O. BOX 75 EDGECOMB, MAINE 04556 TEL 207-882-7526 • FAX 207-882-6392 www.manways.com