

for Polyethylene, Fiberglass and Glass Lined Tanks



## Product No. CM-2P

### Description

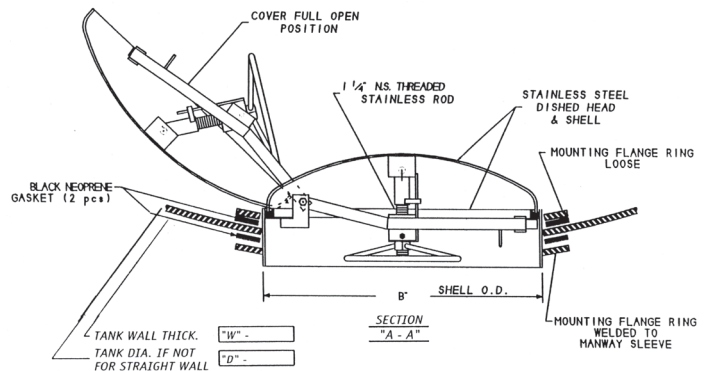
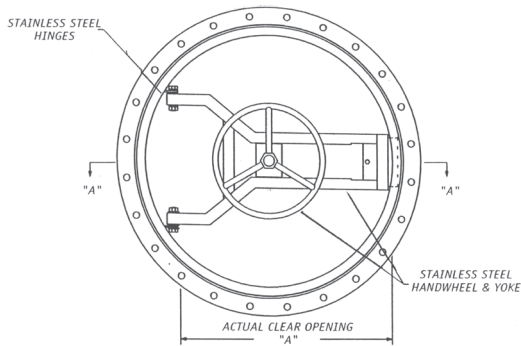
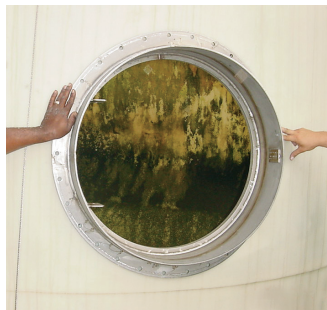
Chase Associates Quick-Opening Manways open into the vessel and seal an ASME flanged and dished head against a liquid-tight replaceable gasket. The handwheel release operates only when the tank is empty and provides access in seconds without unbolting or use of tools. Conforms with OSHA Permit Required Confined Space rules. Installation typically completed in 3 hours. Locking Security Covers available.

### Typical Applications

Access into polyethylene, polypropylene and fiberglass storage and processing tanks. Wastewater Treatment Plants, Liquid Storage Tanks, Secondary Containment Vessels, Water Storage Tanks, and other chemical resistant tanks. Install in new construction or existing structures. Replace or convert older bolted cover manways to provide access in seconds versus hours.



# Product No. CM-2P



Sizes & Pressure Ratings				Construction Materials		Gasket Materials	
Size	Shell OD	Static HD	Max PSI	Stainless Steel	<ul style="list-style-type: none"> <li>• 304L</li> <li>• 316L</li> <li>• 317L</li> </ul>	<ul style="list-style-type: none"> <li>• EPDM</li> <li>• BUNA-N</li> <li>• Neoprene</li> <li>• Hypalon</li> </ul>	<ul style="list-style-type: none"> <li>• Viton</li> <li>• Chemigum</li> <li>• FDA approved materials</li> </ul>
20"	25"	195'	84				
24"	31"	152'	66				
30"	37"	122'	53	6% Moly Alloys	<ul style="list-style-type: none"> <li>• 25-6MO</li> <li>• AL-6XN</li> <li>• 254SMO</li> </ul>	<p>Other materials available</p>	<p>Optional Equipment</p> <ul style="list-style-type: none"> <li>• Sightglasses &amp; Lights</li> <li>• Custom Fittings for special applications</li> </ul>
36"	43"	101'	44				
42"	49"	83'	36				
48"	55"	65'	28	Ask about other materials			

Material SA-240 T316L Stainless Steel  
 Design Temperature of 100F  
 ASME Code Section 8 Division 1 Calculations

**CHASE ASSOCIATES, Inc.**  
 Providing access products and technology since 1979



1-888-626-9297 • www.manways.com • email:info@manways.com